

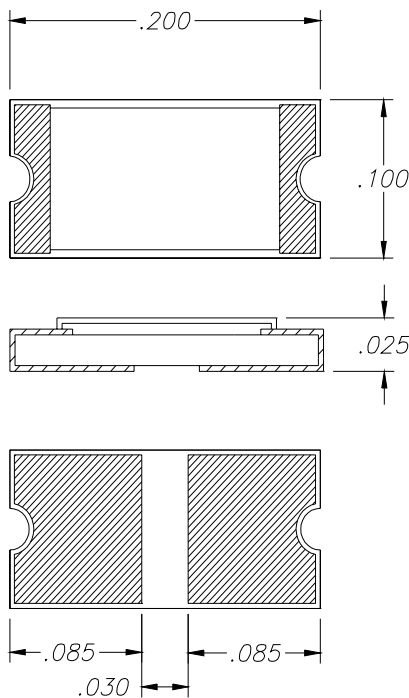
BeO FREE™ SURFACE MOUNT RESISTOR

Features:

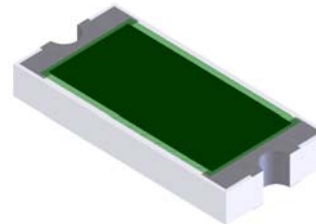
- ◆ BeO Free™ material
- ◆ 10 Watt input power
- ◆ Surface mountable

General Description:

The REC2010CT-XXXX*JN-83 is a standard (.5 - 1Mohm available) surface mountable chip resistor. It has an input power of 10 watts, while maintaining a heat sink temperature of 100°C.



Dimensions in inches
 Tolerance ± .010
 unless otherwise stated

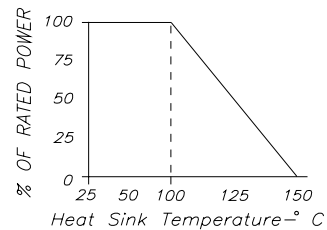


* XXXX = Resistance Value in Ohms
 .5 - 1Mohm available

- Ohms
- 0.5...R500
 - 11R00
 - 10.....10R0
 - 50.....50R0
 - 100....1000
 - 150....1500
 - 1K.....1001
 - 10K....1002
 - 100K...1003
 - 470K...4703
 - 1M....1004

Sample part number:
 REC2010CT-50R0JN-83

DERATING CURVE:



Parameter	Min.	Typ.	Max.	Units
Input Power			10	Watts
Resistance Tolerance		+/- 5%		Ohms
Mounting Surface Temperature			100	°C

* Barry Industries reserves the right to change part number and or process without notification

Barry Industries, Inc., 60 Walton St., Attleboro, MA 02703 T: 508-226-3350 F: 508-226-3317 E-mail: ABSales@Vishay.com
 Barry Industries maintains an ISO 9001 Certified Quality Management System

Origination Date	Revision Date	Rev.
9/25/07	9/25/07	-